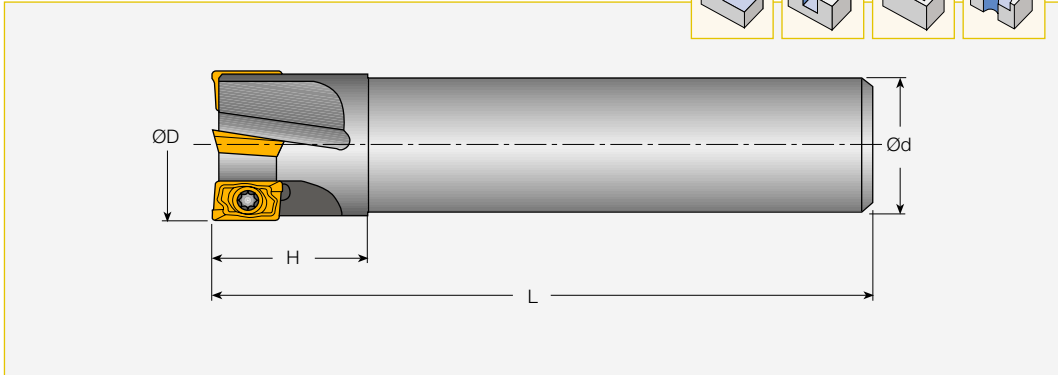
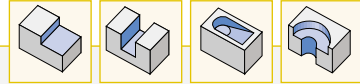



Reduced Shank


Diameter Range 16-32mm

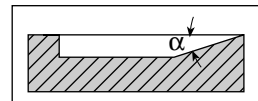


HM90 E90A Reduced Shank

Designation	Item	D	Z	H	L	α°	Type/d	 Kg
HM90 E90A-D16-2-C15-B	3102351	16	2	25	150	15	C15	0.27
HM90 E90A-D20-2-C19-B	3102352	20	2	25	160	7.5	C19	0.37
HM90 E90A-D25-3-C24-B	3102353	25	3	25	200	5	C24	0.73
HM90 E90A-D32-3-C31-B	3102354	32	3	25	250	3	C31	1.40

HM90 E90AD Reduced Shank

Designation	Item	D	Z	H	L	α°	Type/d	 Kg
HM90 E90AD-D25-2-C24-B	3102355	25	2	30	200	11.5	C24	0.70
HM90 E90AD-D32-3-C31-B	3102356	32	3	30	250	5.3	C31	1.40



Ramp down angle

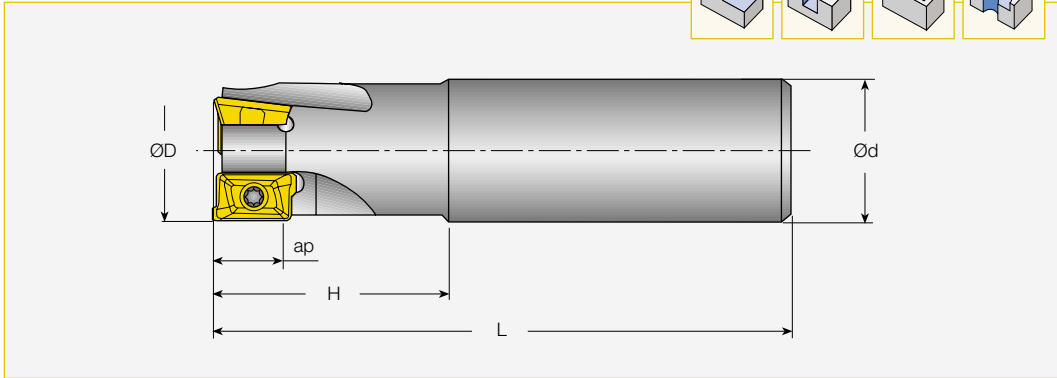
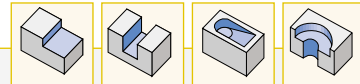
Designation	Screw	Torx Key
HM90 E90A	SR 34-505	T8/53




Designation	Screw	Handle	Torx Bit
HM90 E90AD	SR 14-544/S	SW6-SD	T15/M7

LONG-REACH


Diameter Range 16-40mm




HM90 E90A Long Reach "B" Type

Designation	D	Z	H	L	α°	Type/d	 Kg
HM90 E90A-D16-2-C16-B	16	2	40	150	15	C16	0.21
HM90 E90A-D20-2-C20-B	20	2	40	160	7.5	C20	0.37
HM90 E90A-D25-3-C25-B	25	3	40	200	5	C25	0.73
HM90 E90A-D32-4-C32-B	32	4	40	200	3	C32	1.21
HM90 E90A-D40-5-C40-B	40	5	40	250	2.7	C40	2.39

HM90 E90AD Long Reach "B" Type

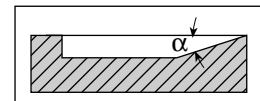
Designation	D	Z	H	L	α°	Type/d	 Kg
HM90 E90AD-D25-2-C25-B	25	2	50	200	11.5	C25	0.72
HM90 E90AD-D32-3-C32-B	32	3	50	250	5.3	C32	1.50
HM90 E90AD-D40-3-C40-B	40	3	50	250	4	C40	2.37

HM90 E90A Long Blank "LB" Type

Designation	D	Z	H	L	α°	Type/d	 Kg
HM90 E90A-D10-1-C16-LB	10	1	30	160	5	C16	0.21
HM90 E90A-D12-1-C16-LB	12	1	30	160	32	C16	0.37
HM90 E90A-D16-2-C16-LB	16	2	40	180	15	C16	0.73
HM90 E90A-D20-2-C20-LB	20	2	40	200	7.5	C20	1.21
HM90 E90A-D32-4-C32-LB	32	4	40	250	3	C32	2.39



Designation	Screw	Torx Key
HM90 E90A	SR 34-505	T8/53



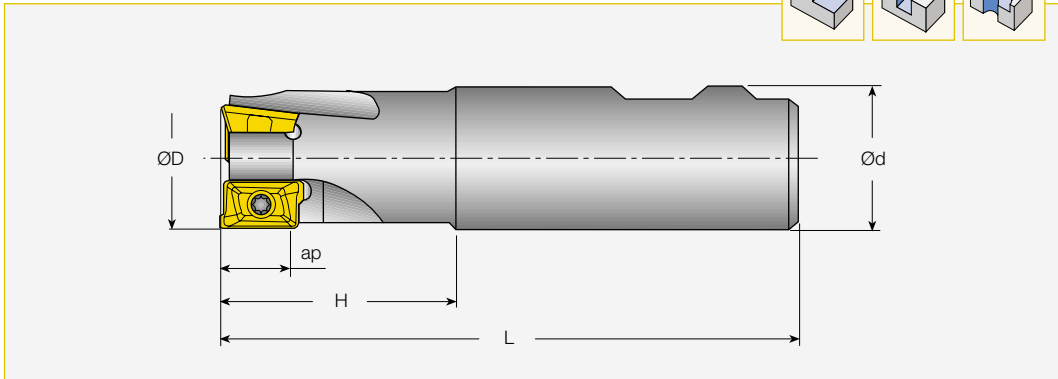
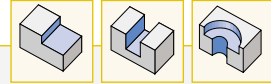
Ramp down angle



Designation	Screw	Handle	Torx Bit
HM90 E90AD	SR 14-544/S	SW6-SD	T15/M7

LONG-REACH

Diameter Range 25-40mm



HM90 E90A

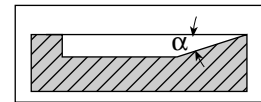
Designation	D	Z	H	L	α°	Type/d	Kg
HM90 E90A-D20-2-W20-XL	20	2	60	130	7.5	W20	0.28
HM90 E90A-D25-3-W25-XL	25	3	80	140	5	W25	0.55
HM90 E90A-D32-4-W32-XL	32	4	100	160	3	W32	0.86
HM90 E90A-D40-5-W40-XL	40	5	125	200	2.7	W40	1.95

HM90 E90AD

Designation	D	Z	H	L	α°	Type/d	Kg
HM90 E90AD-D25-2-W25XL	25	2	70	150	11.5	W25	0.50
HM90 E90AD-D32-3-W32XL	32	3	40	160	5.3	W32	0.93
HM90 E90AD-D40-3-W40XL	40	3	80	200	4	W40	1.85

HM90 E90AD

Designation	D	Z	H	L	α°	Type/d	Kg
HM90 E90AD-D25-2-C25XL	25	2	35	150	11.5	C25	0.50
HM90 E90AD-D32-3-C32XL	32	3	40	160	5.3	C32	0.93
HM90 E90AD-D40-3-W42XL	40	3	80	200	4	W42	1.95



Ramp down angle

Designation	Screw	Torx Key
HM90 E90A	SR 34-505	T8/53



Designation	Screw	Handle	Torx Bit
HM90 E90AD	SR 14-544/S	SW6-SD	T15/M7