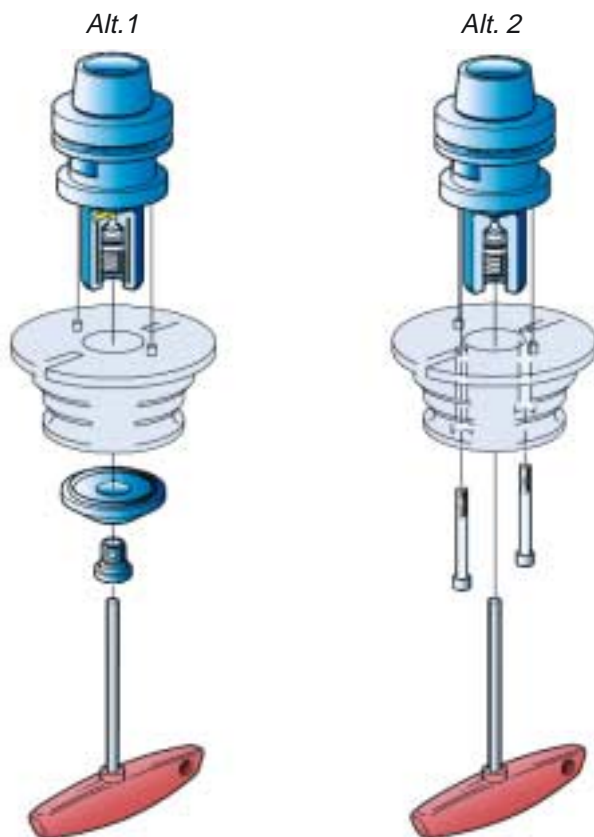
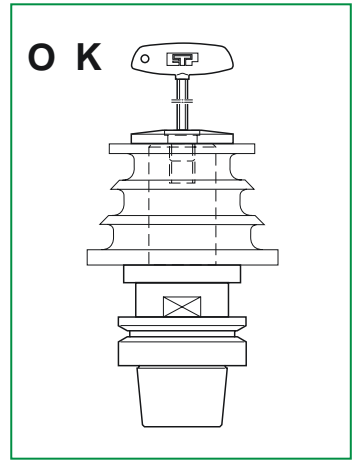


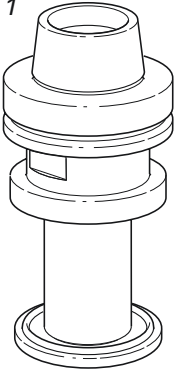
ETP HYDRO-GRIP TYPE GE



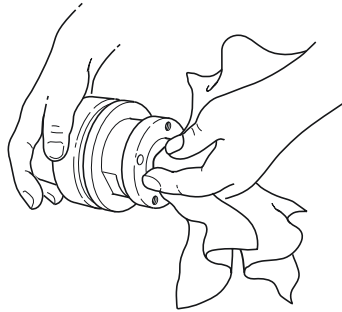
**OPERATING INSTRUCTION
EINBAUANLEITUNG
INSTRUCTIONS DE MISE EN OEURE
取扱説明書
ISTRUZIONI DI FUNZIONAMENTO
INSTRUCCIONES DE MANEJO
KÄYTTÖOHJE
BRUKSANVISNING**



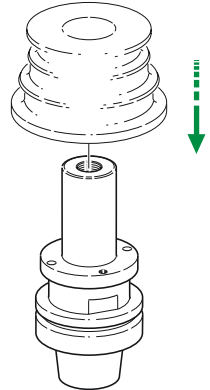
Alt. 1



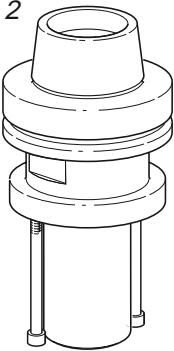
1



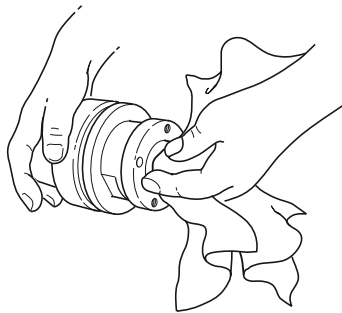
2



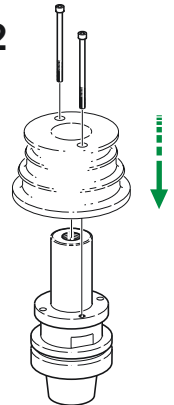
Alt. 2



1



2

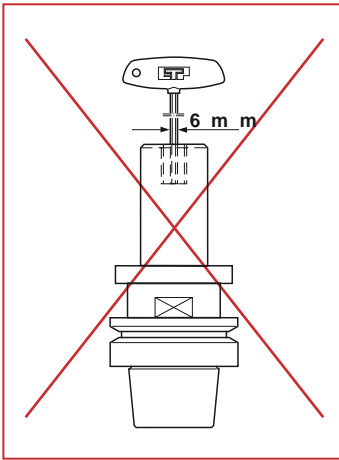


Tool bore tolerance H7

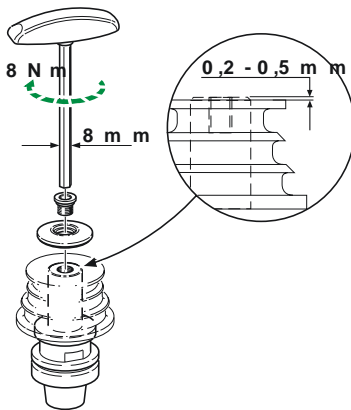
Diametre/mm
+0,021
18-30 0

Diametre/mm
+0,025
30-50 0

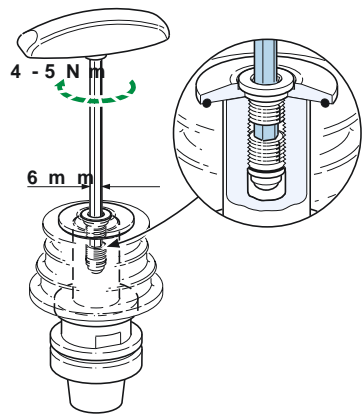
GRIP TYPE GE



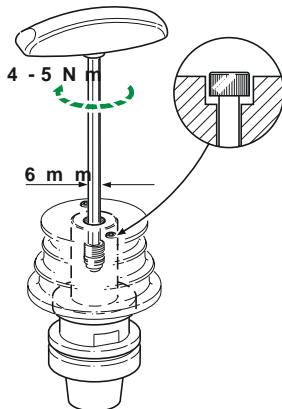
3



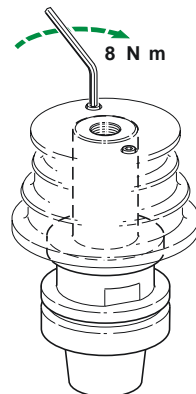
4



3



4



ETP Transmission AB
Box 1120 • S-581 11 Linköping, Sweden

ETP Transmission AB
135 Furniture Row
Milford, Connecticut 06460, USA

www.etp.se